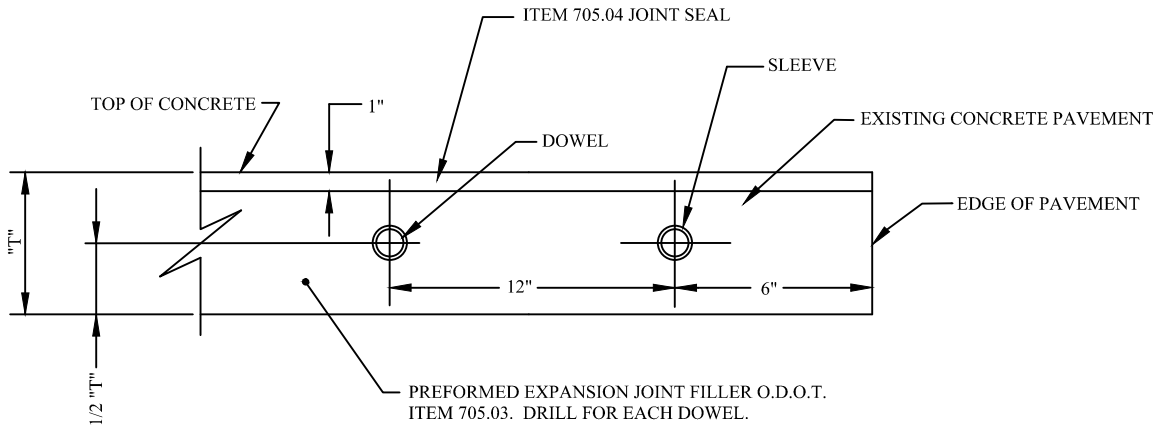


NOTE:
 EXPANSION JOINTS SHALL BE USED AT ALL INTERSECTIONS, AT THE BEGINNING AND END OF ALL CURVES LESS THAN 500 FEET RADIUS, AT A MINIMUM OF EVERY 500 FEET, AND WHERE DESIGNATED ON THE PLANS OR BY THE CITY ENGINEER.



SECTION A-A

CITY OF SOLON ENGINEERING DEPARTMENT	STANDARD DETAIL	TRANSVERSE EXPANSION JOINT FOR EXISTING PAVEMENT
		P-2A