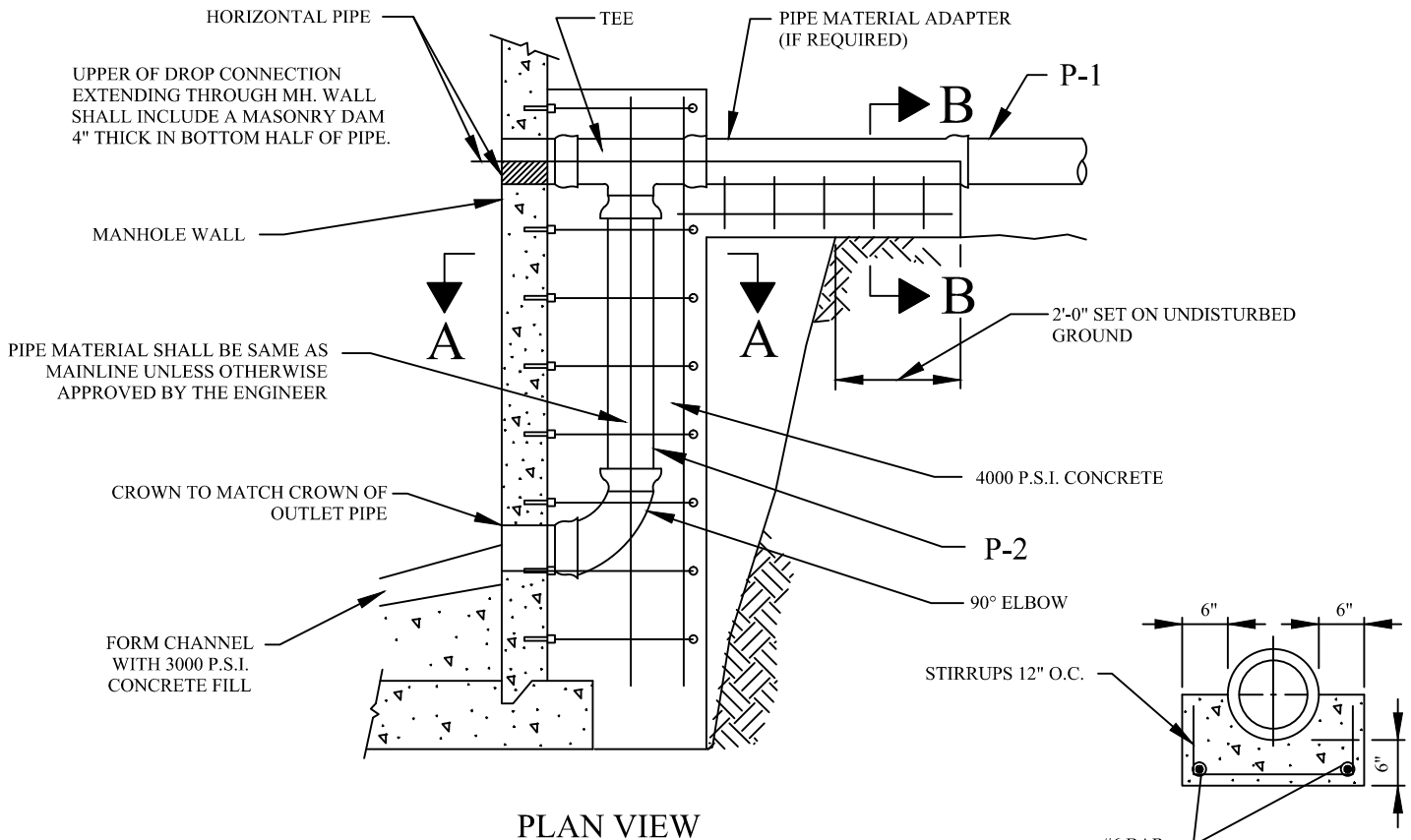
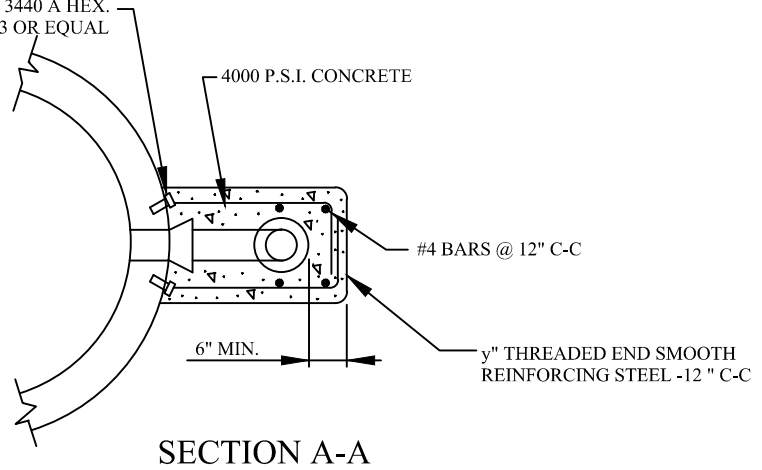


RAMSET THREADED STUD NO. 3440 A HEX.  
STRAIGHT THROUGH COUPLING NO. 1223 OR EQUAL

TABLE OF DIMENSIONS

P-1	P-2
6"	6"
8"	8"
10"	8"
12"	8"
15"	8"
18"	10"
21"	10"
24"	12"



SECTION B-B

CITY OF SOLON  
ENGINEERING DEPARTMENT

STANDARD DETAIL

STANDARD PRECAST  
SANITARY MANHOLE  
DROP CONNECTION

SA-6