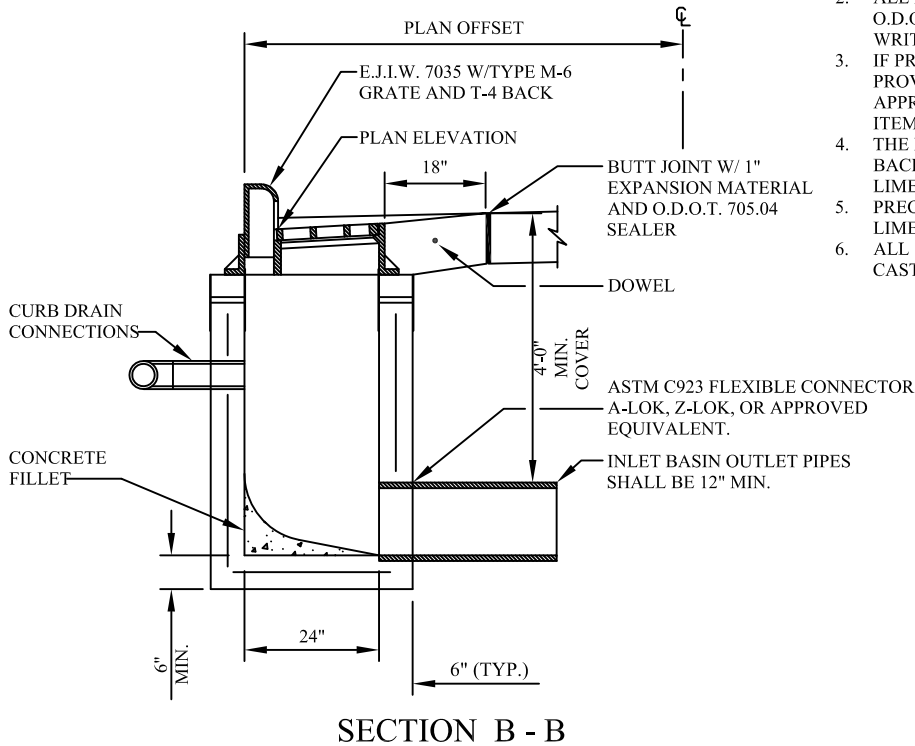


GENERAL NOTES:

1. ALL WORK TO CONFORM TO O.D.O.T. ITEM 604 UNLESS OTHERWISE SPECIFIED.
2. ALL BRICK SHALL BE RED SHALE BRICK CONFORMING TO O.D.O.T. ITEM 704.01 (A.S.T.M. C32), UNLESS APPROVED IN WRITING BY THE ENGINEER.
3. IF PRECAST UNITS ARE USED, THE CONTRACTOR SHALL PROVIDE SHOP DRAWINGS TO THE ENGINEER FOR APPROVAL. PRECAST UNITS SHALL CONFORM TO O.D.O.T. ITEM 706.13.
4. THE ENTIRE AREA AROUND THE BASIN SHALL BE BACKFILLED WITH O.D.O.T. ITEM #304 CRUSHED LIMESTONE, MECHANICALLY COMPACTED IN 12" LIFTS.
5. PRECAST UNITS SHALL BE SET ON 6" - #57 CRUSHED LIMESTONE.
6. ALL SEWER PIPES SHALL HAVE BOOTED CONNECTIONS CAST INTO STRUCTURE.



CITY OF SOLON
ENGINEERING DEPARTMENT

STANDARD DETAIL

VERTICAL CURB INLET

ST-5B